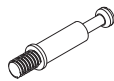




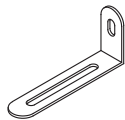







Five Shelf Bookcase

Thank you for purchasing Five Shelf Bookcase. Please follow the manufacturer's assembly instructions in detail.

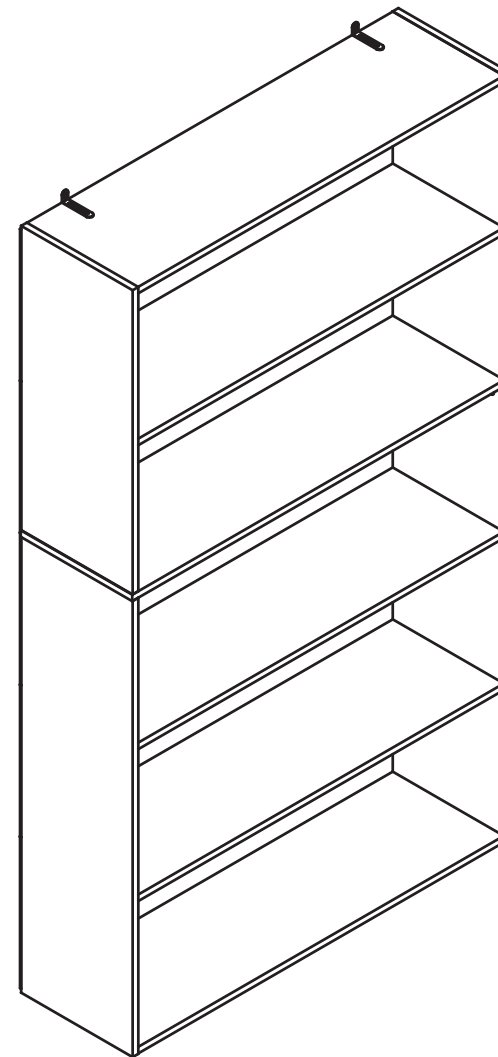
A  4x quickfit screw	B  4x cam lock	C  30x short dowel	D  4x long dowel
E  36x screw	F  2x wall anchor	G  48x screw	H  12x Backplane fastener
I  2x wall anchor	J  2x screw	K  20x screw cover	

HARDWARE SUPPLIED



Phillips & Flathead screwdrivers required.

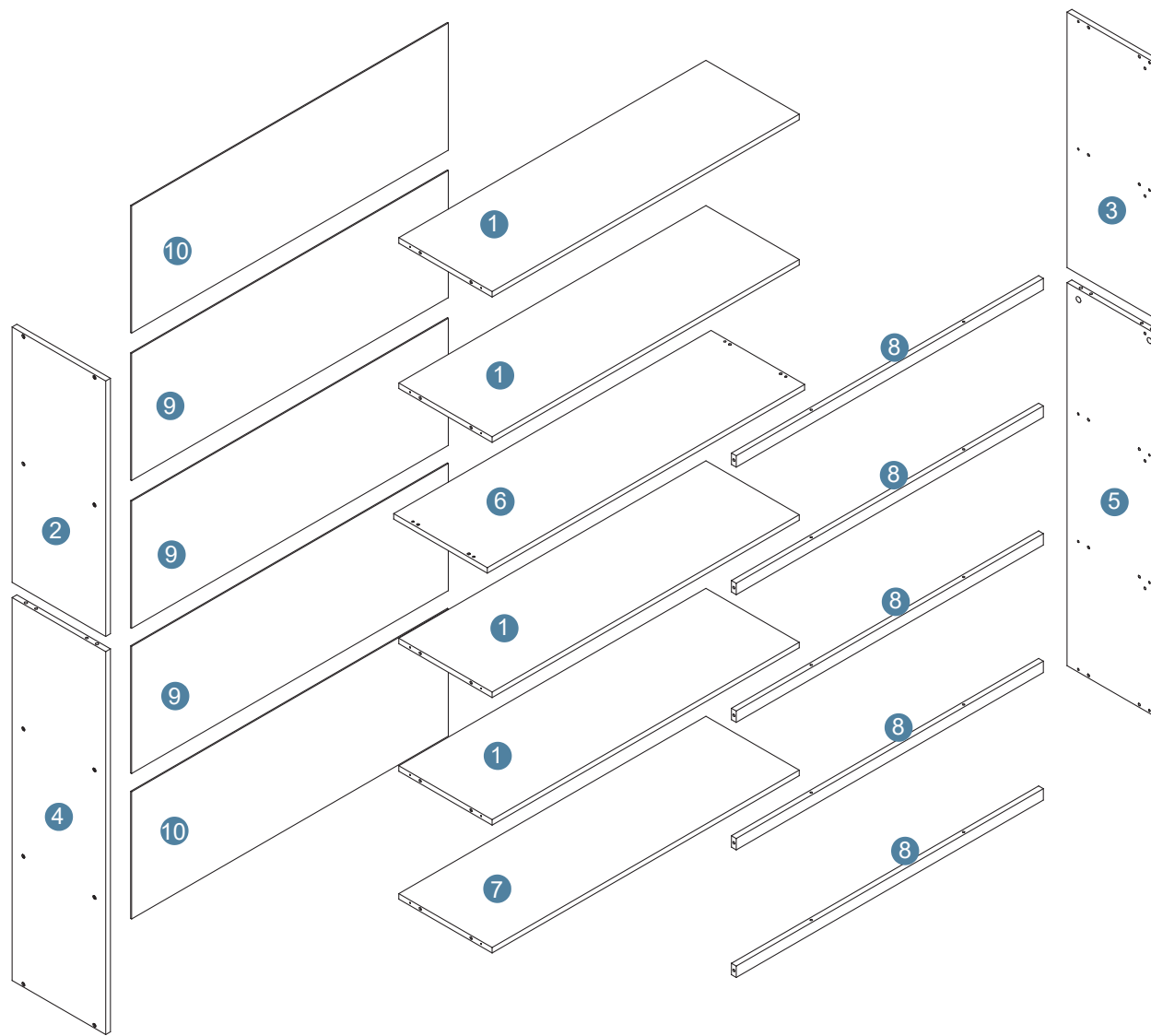
For quicker assembly, we recommend the use of a power drill on a low-speed setting.



WARNING: Any furniture that is not anchored to a wall has the potential to tip over in certain circumstances, ie. if a child attempts to climb on the furniture or in the event of an earthquake. Accordingly, we recommend that all furniture is anchored to a wall. We supply a free safety wall anchor with all furniture sold and we recommend these are used to prevent your product tipping. The fixing device provided should fit most wall types, but please note that different wall materials may require different fixing devices from those supplied.

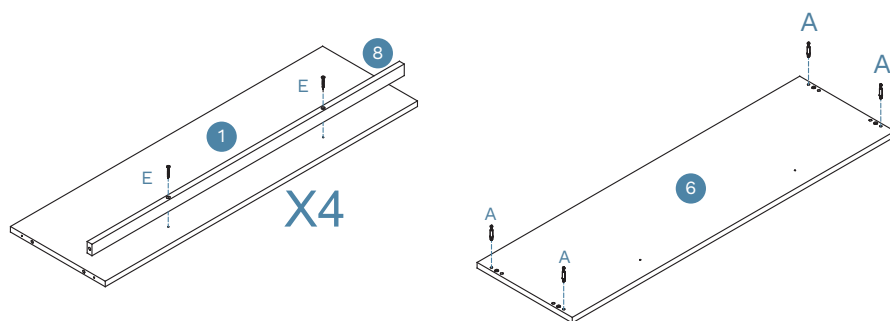
Mocka.

Five Shelf Bookcase



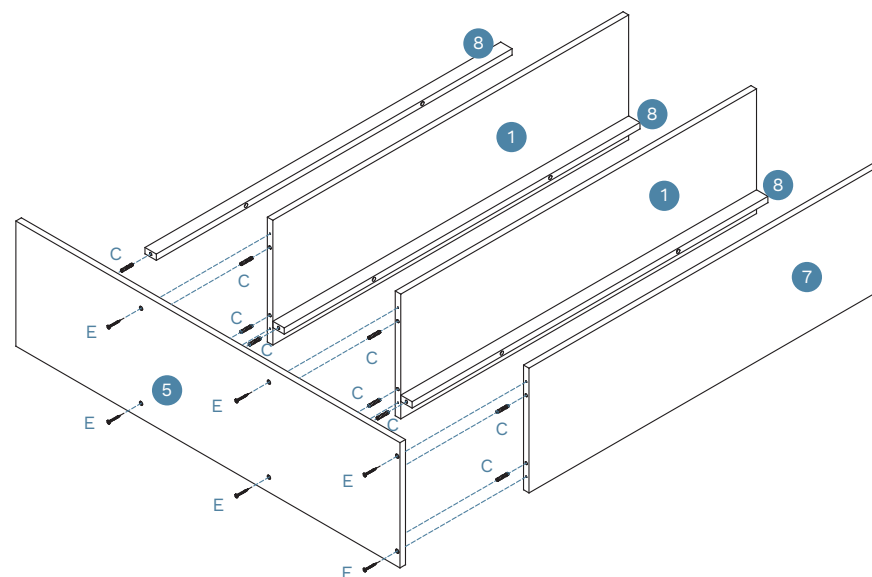
Five Shelf Bookcase

1



Attach 2 x screws (E) to panel (1) and 4 x bolts (A) to panel (6) as shown. Tighten with a screwdriver.

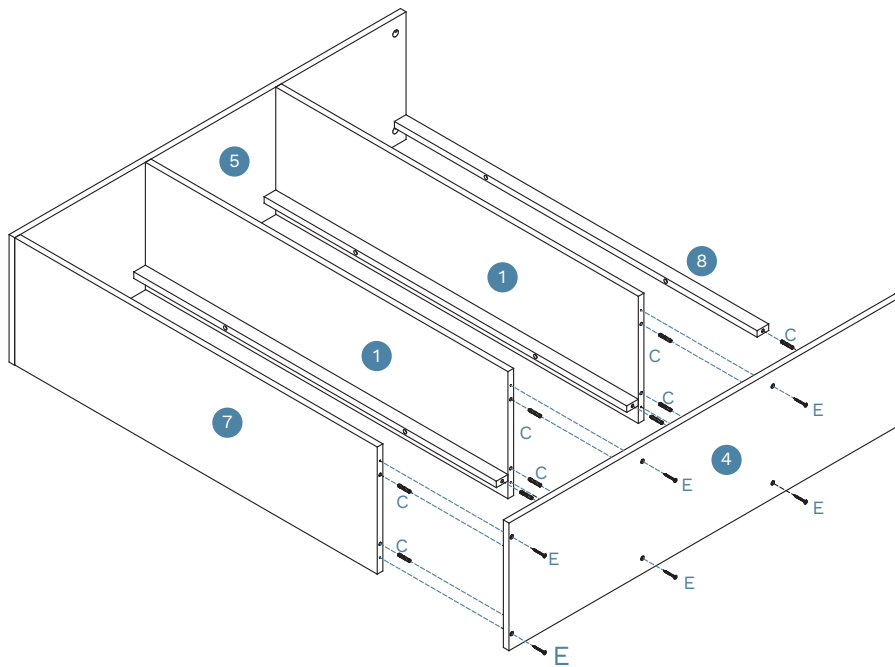
2



Attach panel (5) to panels (1) and (7) as shown as secure with 9 x dowels (C) and 6 x screws (E). Tighten with a screwdriver.

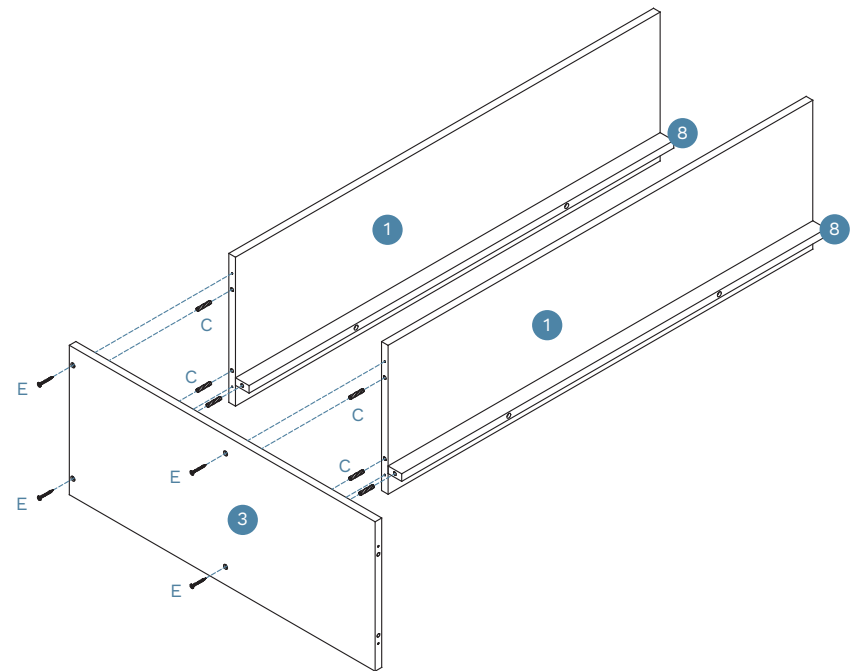
Five Shelf Bookcase

3



Attach panel (4) to assembled frame as shown and secure with 9 x short dowels (C) and 6 x screws (E). Tighten with a screwdriver.

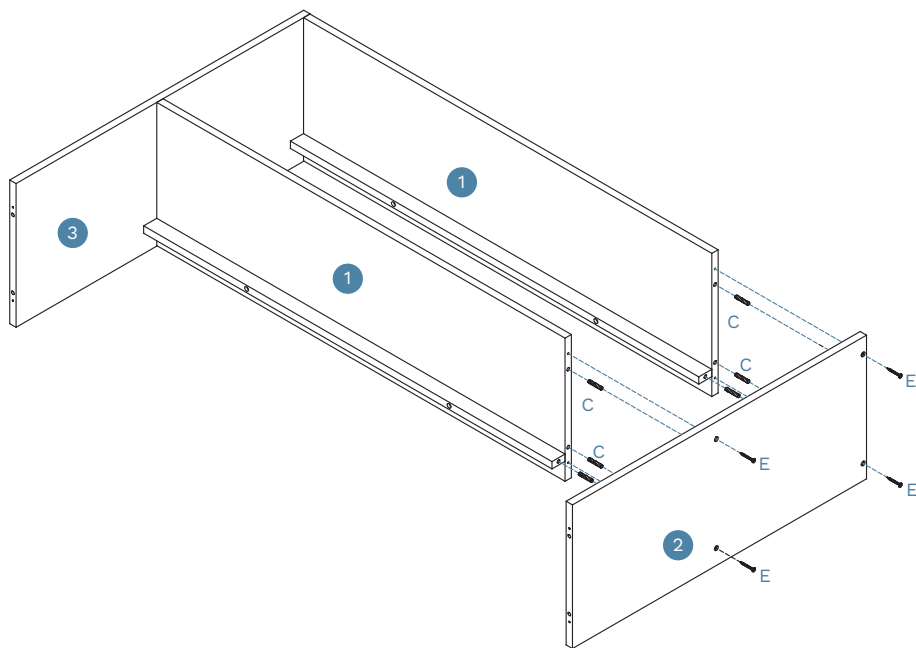
4



Attach panel (3) to assembled frame as shown and secure with 6 x short dowels (C) and 4 x screws (E). Tighten with a screwdriver.

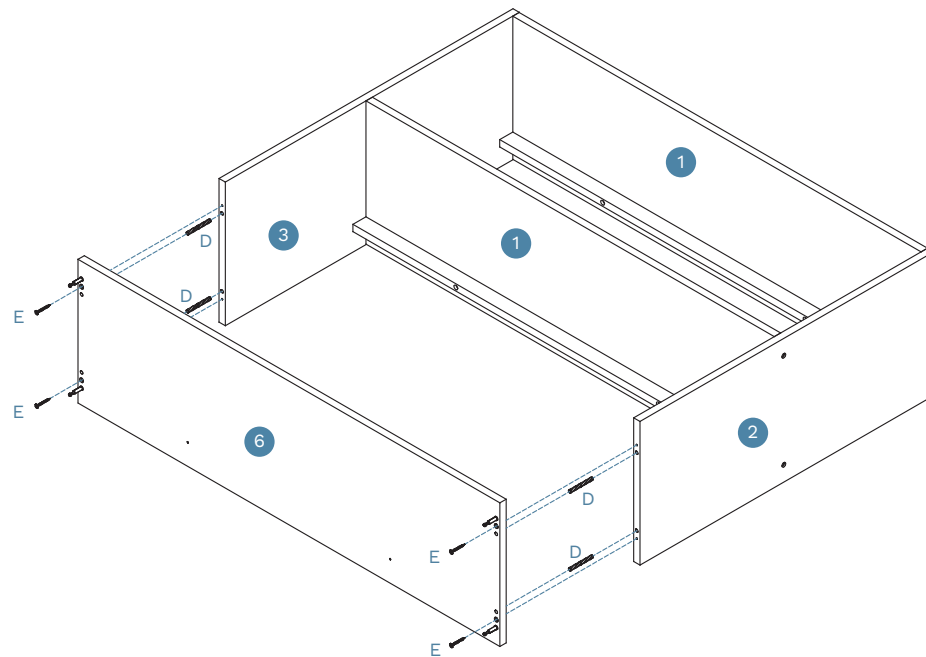
Five Shelf Bookcase

5



Attach panel (2) to assembled frame as shown and secure with 6 x short dowels (C) and 4 x screws (E). Tighten with a screwdriver.

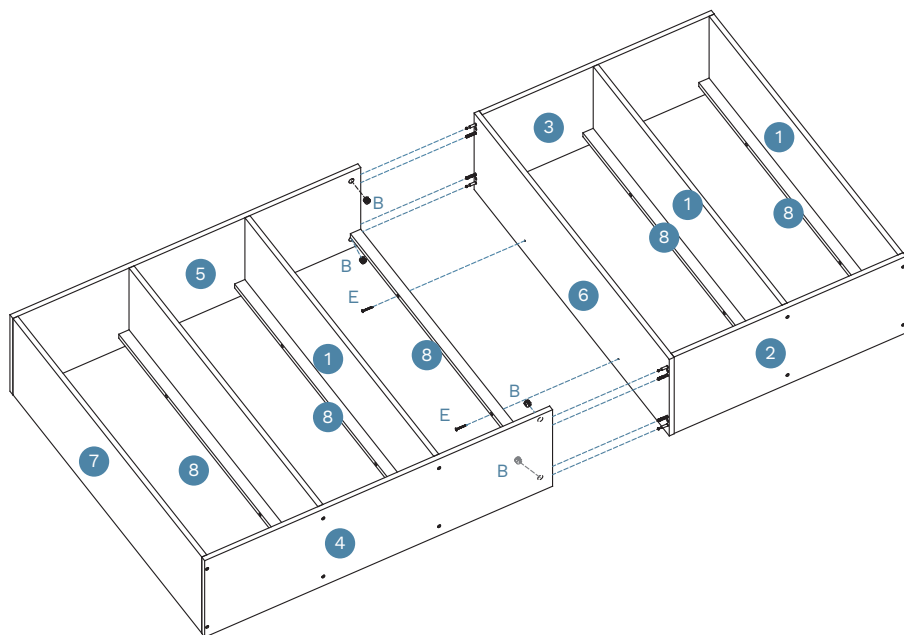
6



Attach panel (6) to assembled frame as shown and secure with 4 x long dowels (D) and 4 x screws (E). Tighten with a screwdriver.

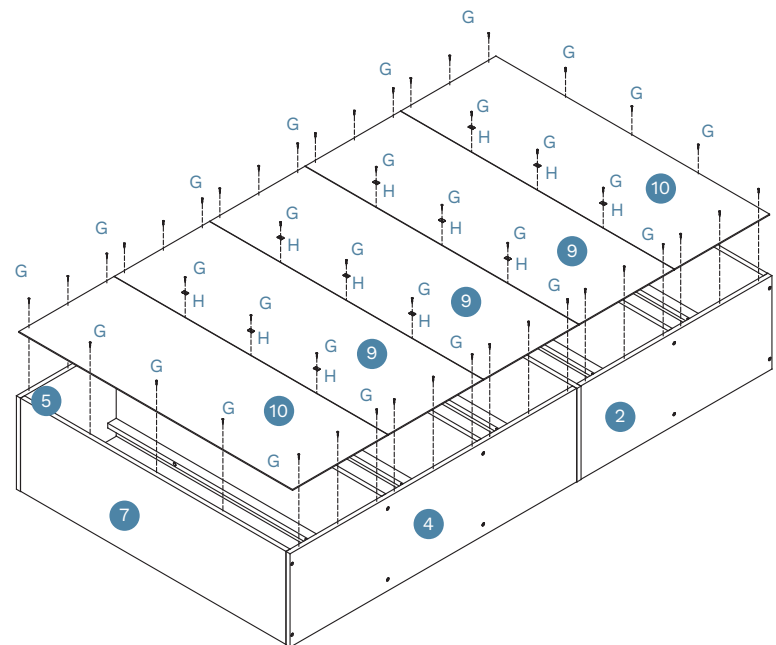
Five Shelf Bookcase

7



Attach assembled furniture together as shown and secure with 2 x screws (E) and 4 x cam locks (B). Tighten with a screwdriver.

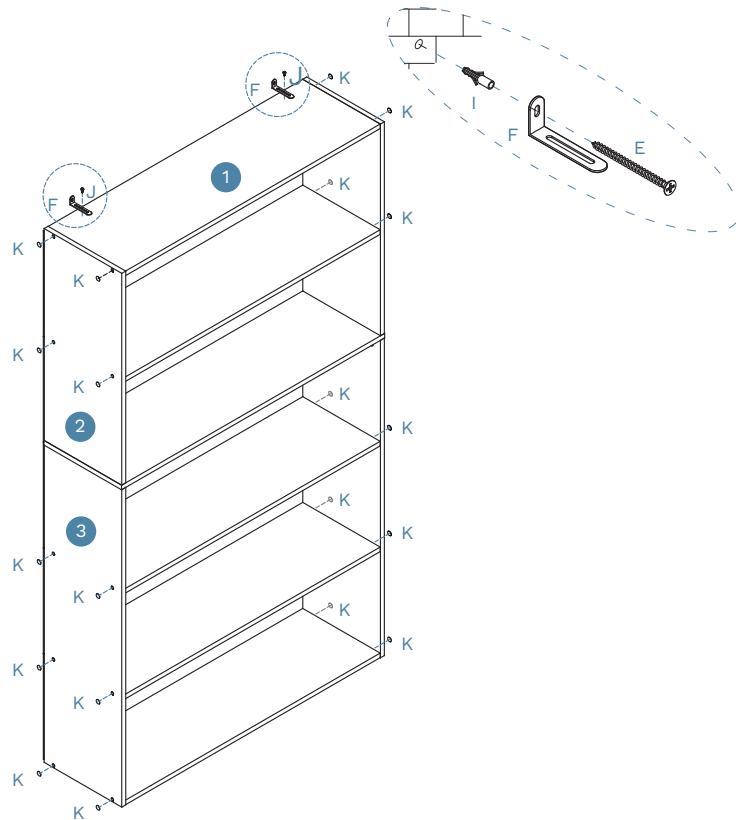
8



Once assembled lift furniture into place, do not drag. Ensure unit is balanced and steady before use. You're done, enjoy!

Five Shelf Bookcase

9



Once assembled lift furniture into place, do not drag. Use a drill to create a small hole lining up with the top of the 2 x wall anchors (F). Fasten to the wall using 2 x wall plugs (I) and 2 x screws (E). Attach 20 x screw covers (K) to assembled frame as shown. Ensure unit is balanced and steady before use. You're done, enjoy!